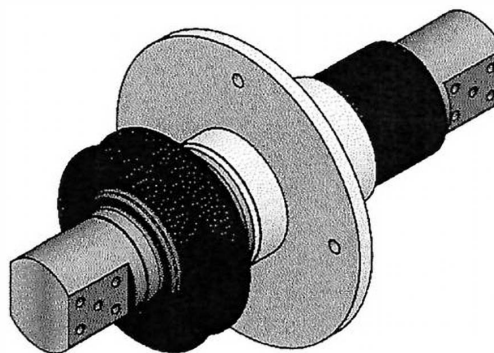
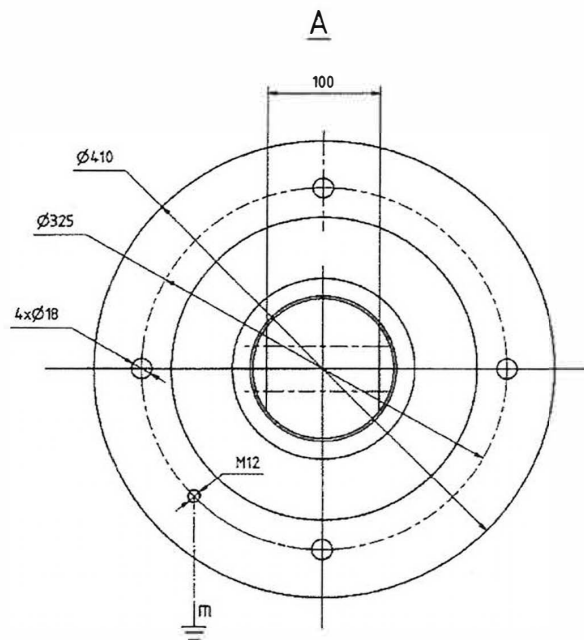
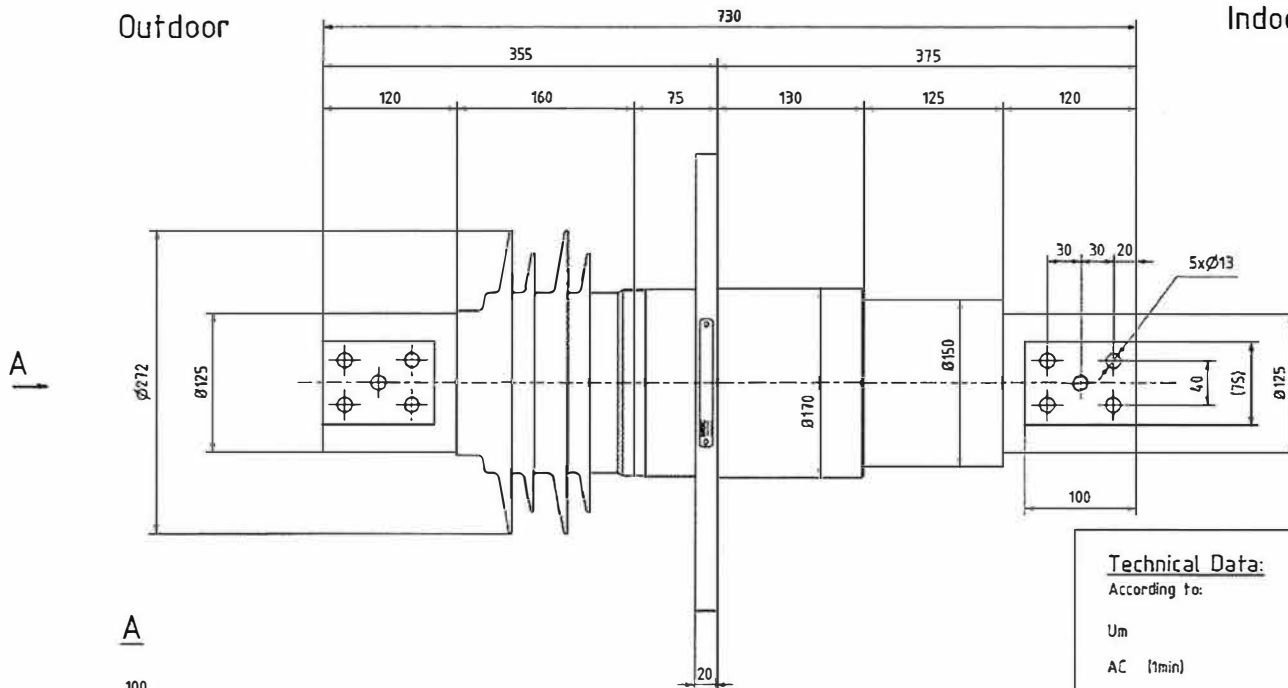


Outdoor

Indoor



Technical Data:

According to:	IEC 60137 (2008)
Um	12 kV
AC (1min)	28 kV
BlL (1,2/50 µs)	75 kV
I _r	2500 A
f _r	50 / 60 Hz
Insulator	Silicone, light grey
- Pollution	IEC 60815
• Version 1986 (SCD):	31mm/kV
• Version 2008 (USCD):	53,7mm/kV
- Creepage distance	372 mm
Canilever test load (IEC 60137, [Class II])	2000 N
Insulation	DURESCA (RIP)
Conductor	Al
Weight	38 kg

Tel. as per DIN ISO 2108-1 (3)		PAGE: 1 / 1	FURPA: A2
		WIDTH: 38	SCALE: 1:3
	DATE	NAME	
	12.03.2018	FWB	011 wall bushing
	03.03.2018	gpl	Outdoor-Indoor
	13.03.2018	gpl	12kV / 2500A / E=130
www.mgcl.ch			
MOSEGLASER			DRAWING NO: 711.18.0025
REV	DESCRIPTION	DATE	NAME